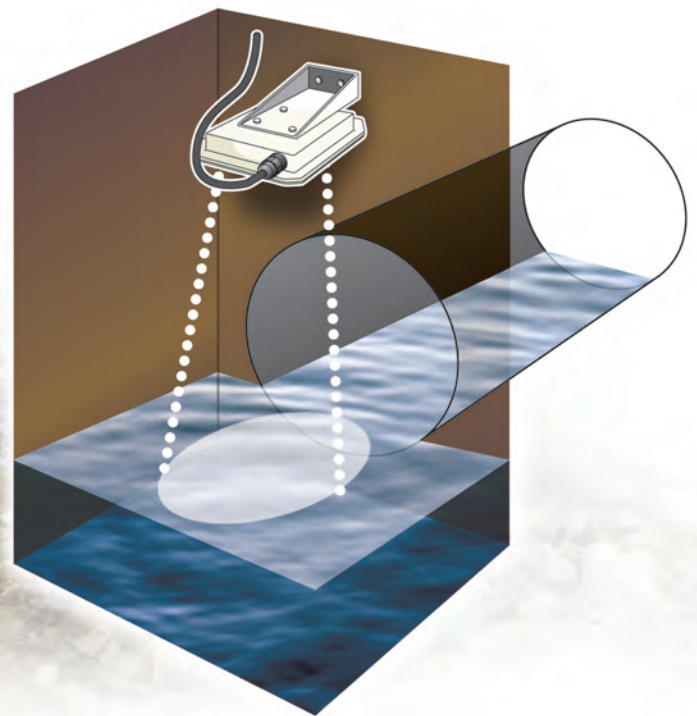
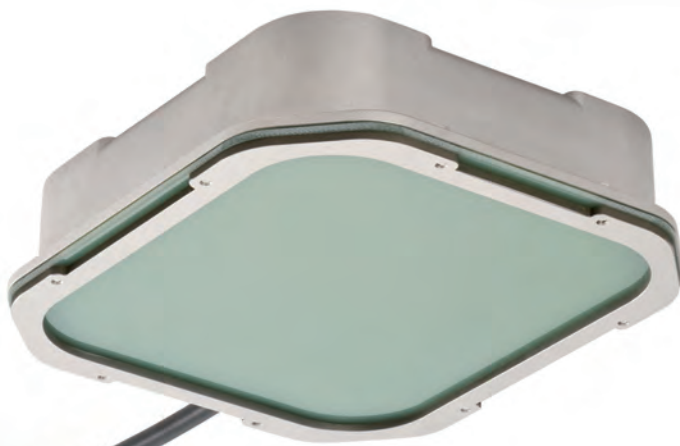


Typical Application

Sewage Drainage Tunnel

Water Works Pit Ceiling

Vapor-Rich Tank Top Roof



FEATURES

Simple one-piece structure

Compact body (Height : 54mm)

IP68 submergible

2-wire Loop-Powered

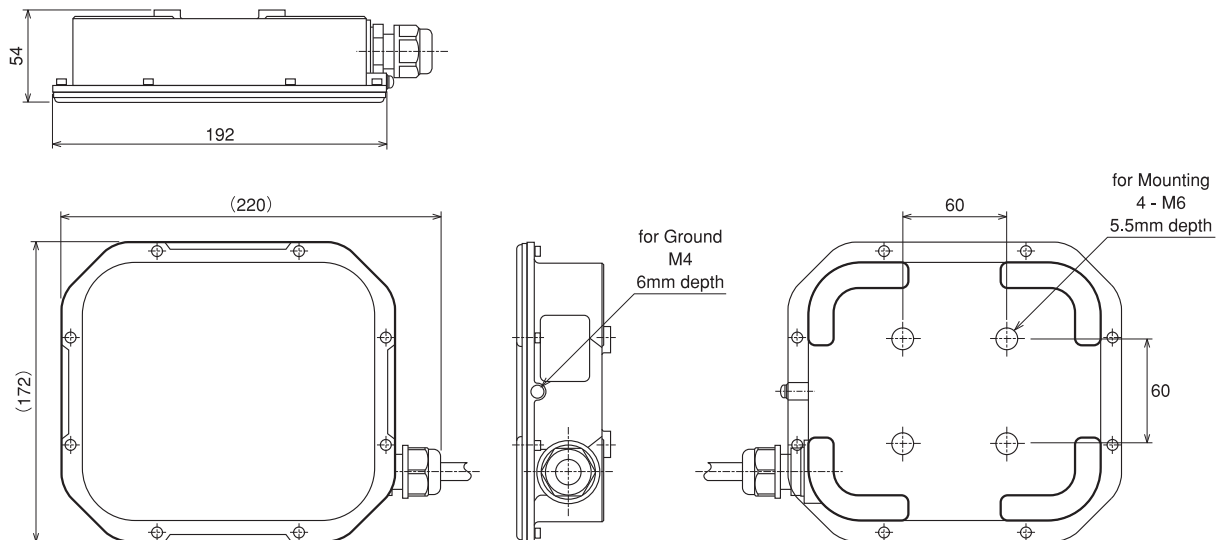
HART communication

Remote Setup

General Specifications

| Specifications | | Environment | |
|--------------------------|--|------------------------------|---|
| Measurement Principle | Microwave Pulse Radar | Ambient Temperature | -20 °C ~ +70 °C |
| Operating Frequency | 6 GHz | Storage Temperature | -40 °C ~ +80 °C |
| Half Power Beam Angle | The Major Axis of oval : 50 deg. The Minor Axis of oval : 23 deg. | Ambient Pressure | ATM |
| Display | No Display | Ingress Protection | IP68 (10m Depth /24hr.) |
| Setup | Graphical PC Configuration | Vibration Resistance | IEC68-2-6/IG |
| Power Supply | Loop-powered, 16 - 36 VDC | Lightning Protection | IEC61000-4-5 Level-4 (COM 4KV/DIF 2KV) |
| Analog Output | Analog : 4-20 mA DC & Digital : HART® Protocol (Level, Distance, Volume, Signal Strength) | Measuring Performance | |
| External Loop Resistance | less than 360 ohm (at 24 V) | Instrument Accuracy | ± 5mm (0.1-5m range) ± 10mm (5-10m range) |
| Signal on Alarm | Hold / Low (3.9 mA) / High (22 mA) | Repeatability | ± 1mm |
| Housing (Enclosure) | Body : Cast Stainless (316 equivalent) Antenna Face : FRP | Update Interval | 1sec |
| Size | 172 x 192 x 54 mm (without Cable Grand) | Measuring Range | Max. 10m from Antenna End Applicable circular channel : more than φ400mm |
| Mass | Approx. 2.7 kg (without Cable) | Others | Arrester and 10m Coaxial Cable are built-in. |

Dimensions



Design and specifications are subject to change without prior notice, and without any obligation on the part of the manufacturer.



CAUTION

Before operating this equipment, you should first thoroughly read the operator's manual.

TOKYO KEIKI

TOKYO KEIKI INC.

www.tokyo-keiki.co.jp/ryutai/

Control Division I Fluid Management Systems SBU

Head Office

2-16-46, Minami-Kamata, Ohta-ku Tokyo 144-8551, JAPAN
TEL.+81-3-3737-8664 FAX.+81-3-3737-8665